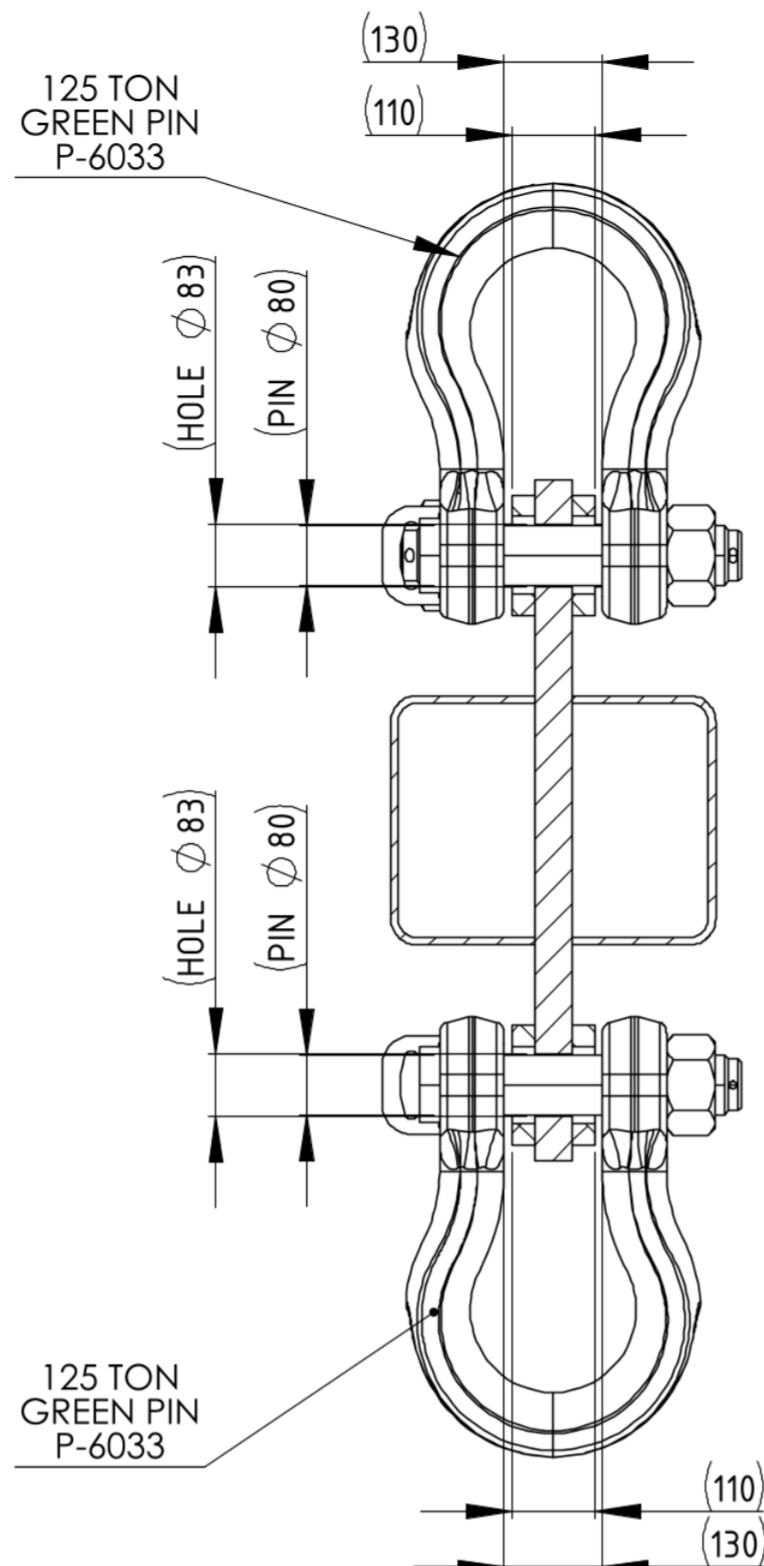
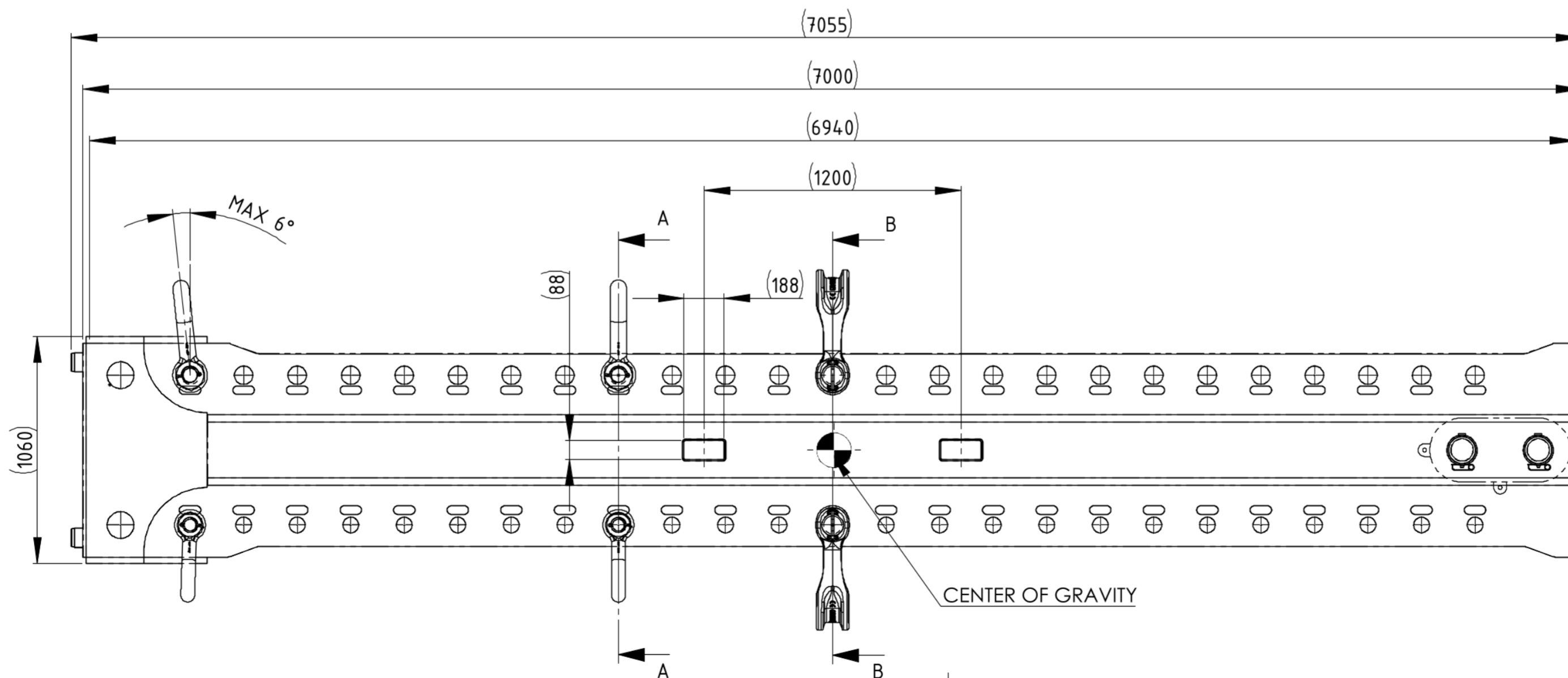
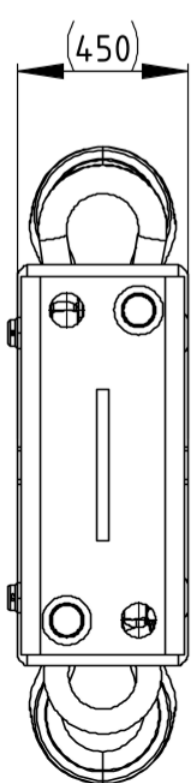
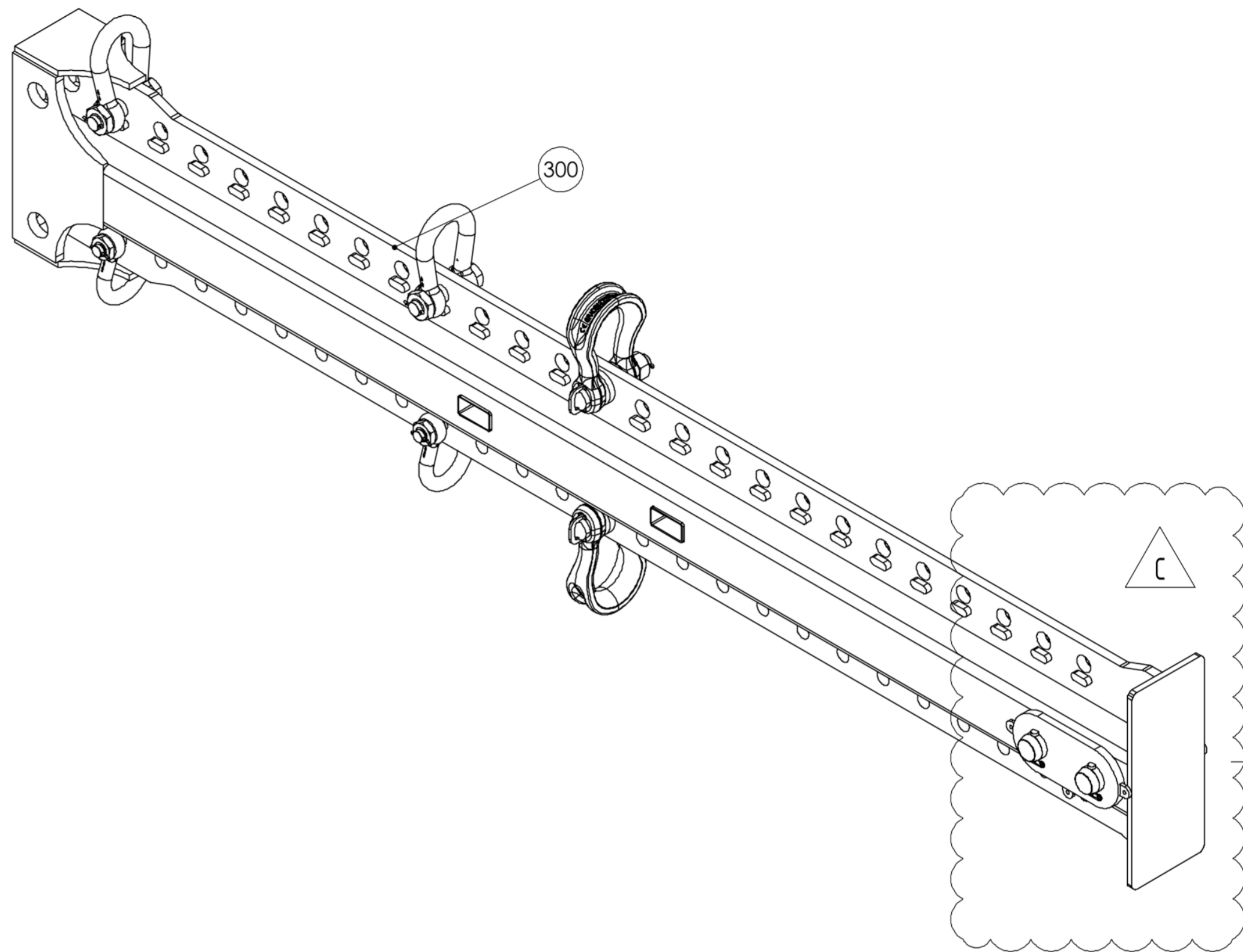


SECTION A-A
SCALE 1 : 10



SECTION B-B
SCALE 1 : 10



GENERAL NOTES :

- 1 TOTAL MASS OF ONE ASSEMBLY APPROX. 4441.4 kg

C	ISO VIEW ADJUSTED	17-11-2023	SSmi	DWit	Thue
B	ADDED DIMENSIONS, POS 403 CHANGED	12-08-2021	MPol	RVer	DWit
A	FIRST ISSUE	13-07-2021	RVer	AFi	Thue
REVISION	DESCRIPTION	DATE	DRAWN	CHECKED	APPVd.

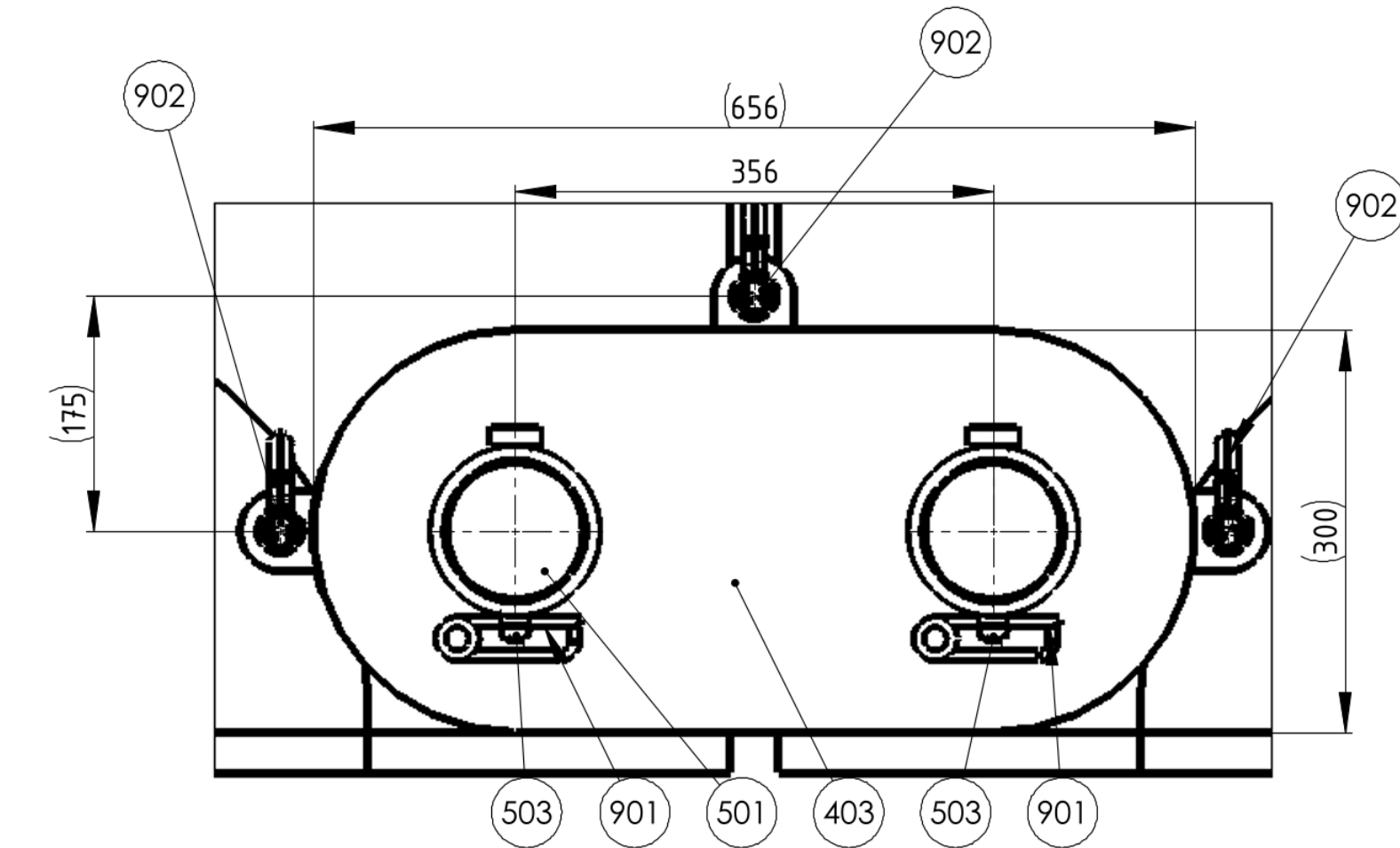
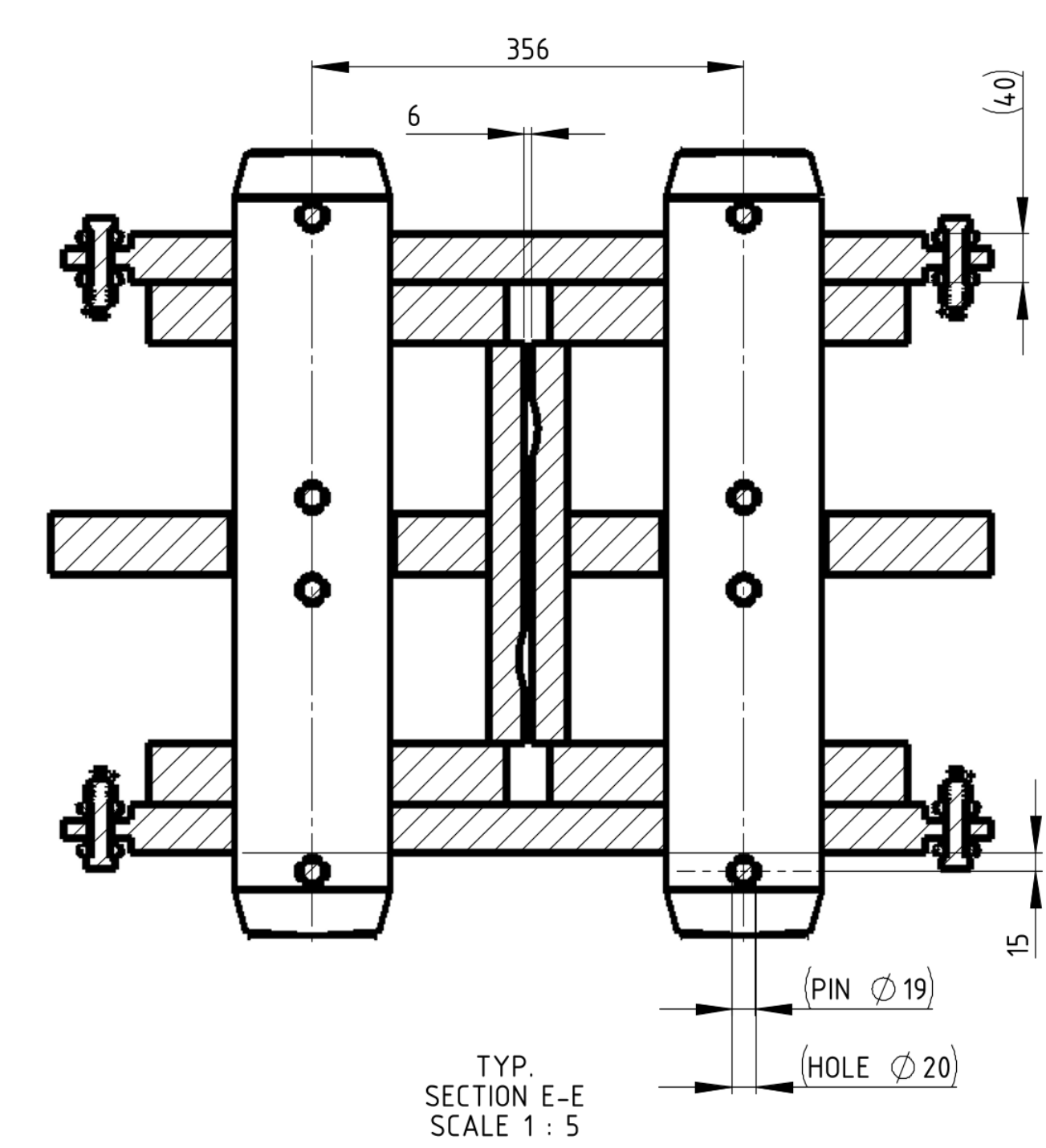
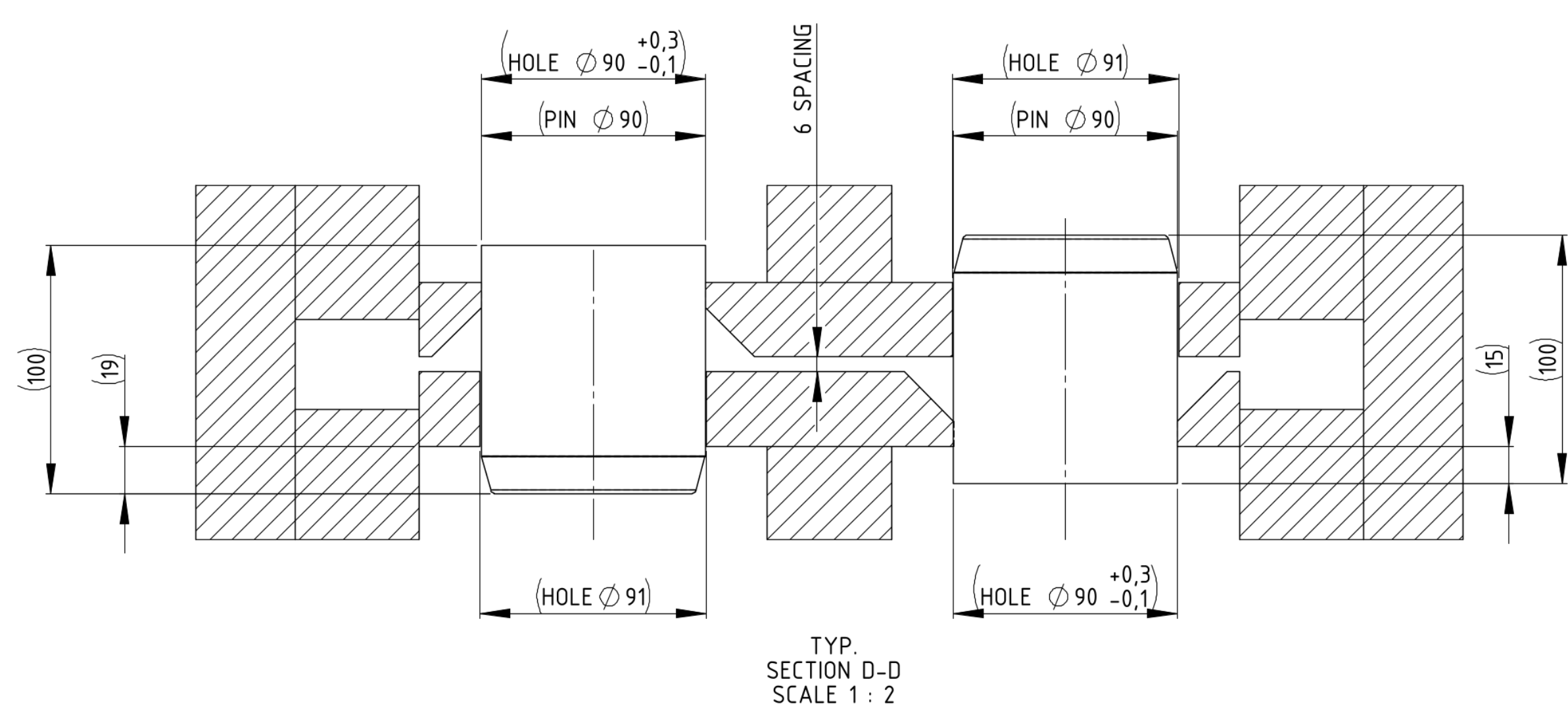
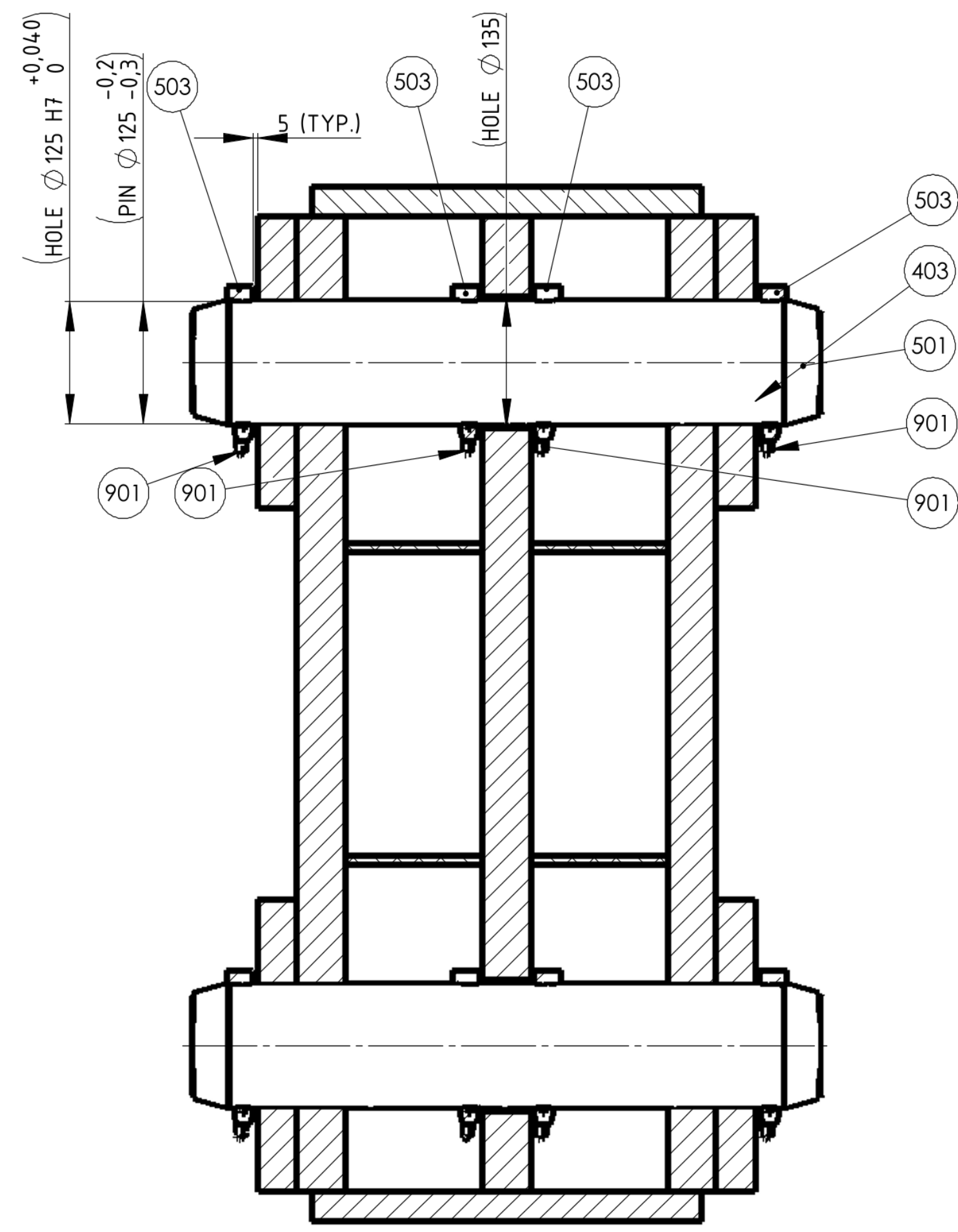
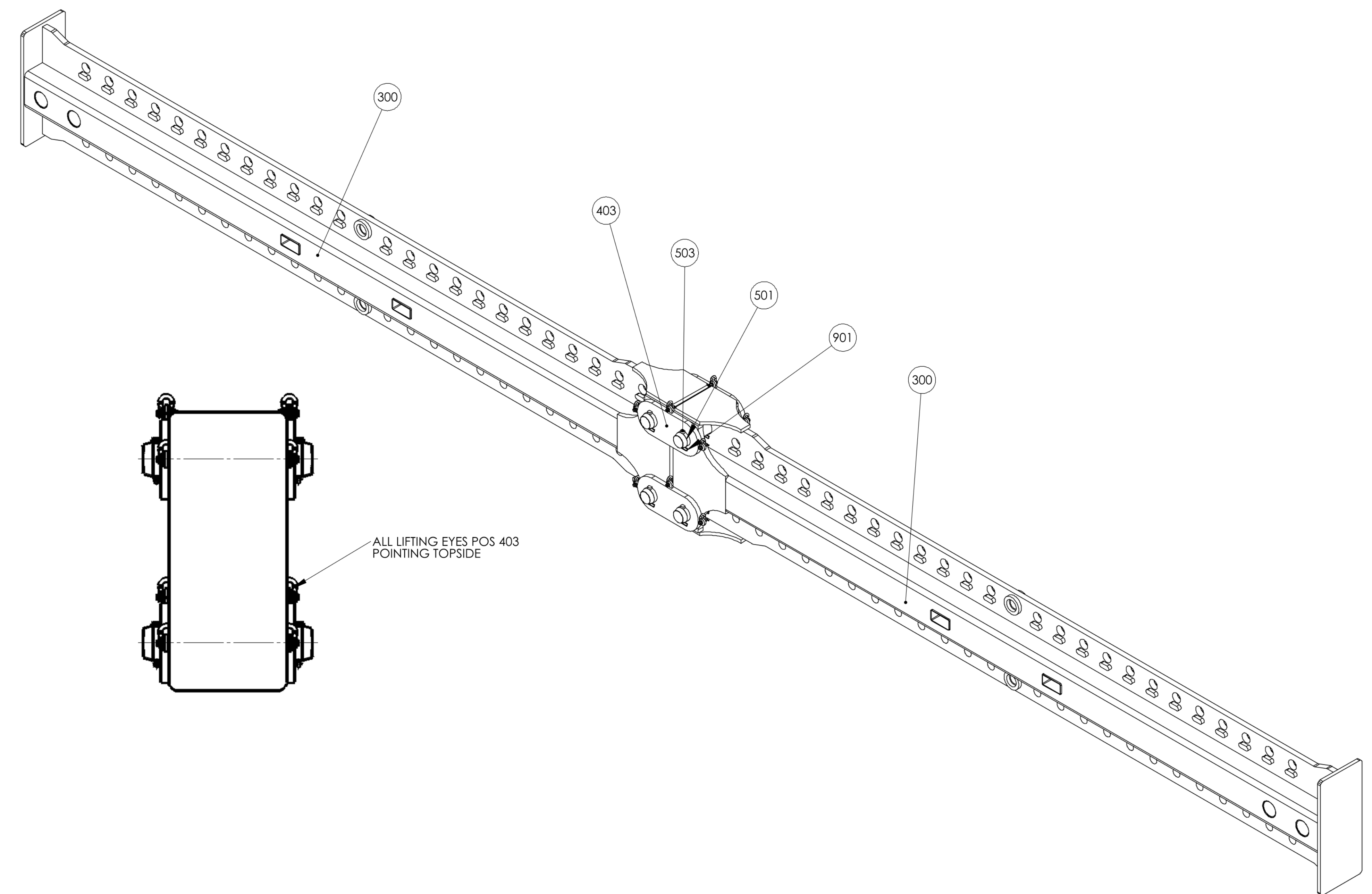
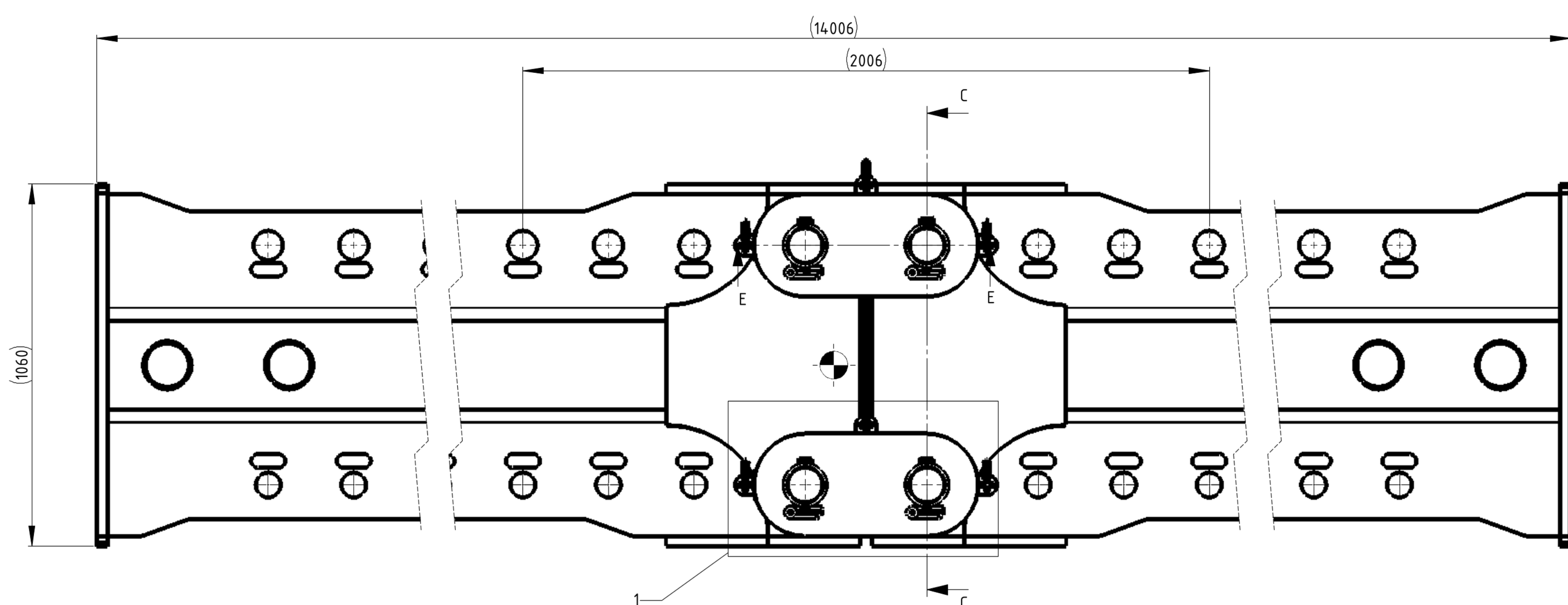
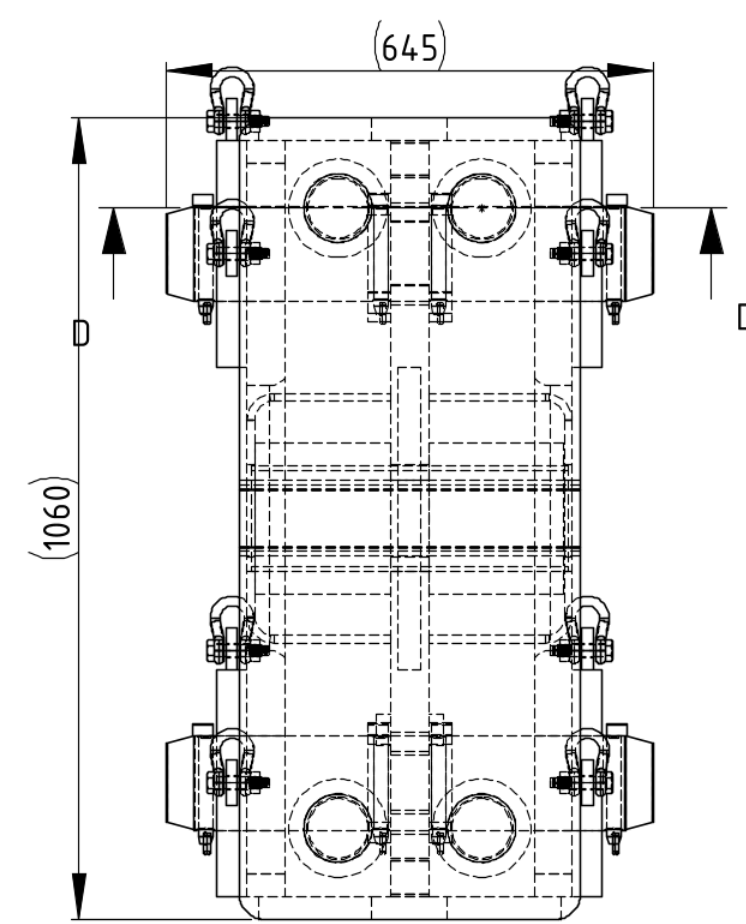
CLIENT NAME	Gouda Constructie
PROJECT NAME	WLL100T & 200T Multilug
TITLE	MULTILUG WLL 100 TON ASSEMBLY DETAILED DESIGN



Strijkviertel 28a
NL-3454 PM De Meern
The Netherlands
www.Tillem.eu

RECEIVER SHALL TREAT THIS DOCUMENT AS CONFIDENTIAL UNLESS CONTRACTUALLY SPECIFIED OTHERWISE. REPRODUCTION, DISTRIBUTION OR DISCLOSURE OF THIS DOCUMENT IS PROHIBITED WITHOUT THE PRIOR WRITTEN CONSENT OF TILLEN MANAGEMENT. - COPYRIGHT RESERVED -

PROJECTION METHOD	3 rd ANGLE	STATUS	APPROVED
SHEET SIZE	A2	SCALE	1:20
UNITS	mm-kg-s	DRAWING NUMBER	210210-01-10-ED-DM-100
SHEET	1/4	REV.	C



GENERAL NOTES :

1 TOTAL MASS OF ONE ASSEMBLY APPROX. 8115.0 kg

REVISION	DESCRIPTION	DATE	DRAWN	CHECKED	APPVd.
C	ISO VIEW ADJUSTED	17-11-2023	SSmi	DWit	THue
B	ADDED DIMENSIONS, POS 403 CHANGED	12-08-2021	MPol	RVer	DWit
A	FIRST ISSUE	13-07-2021	RVer	AFri	THue

CLIENT NAME
Gouda Constructie

PROJECT NAME
WLL100T & 200T Multilug

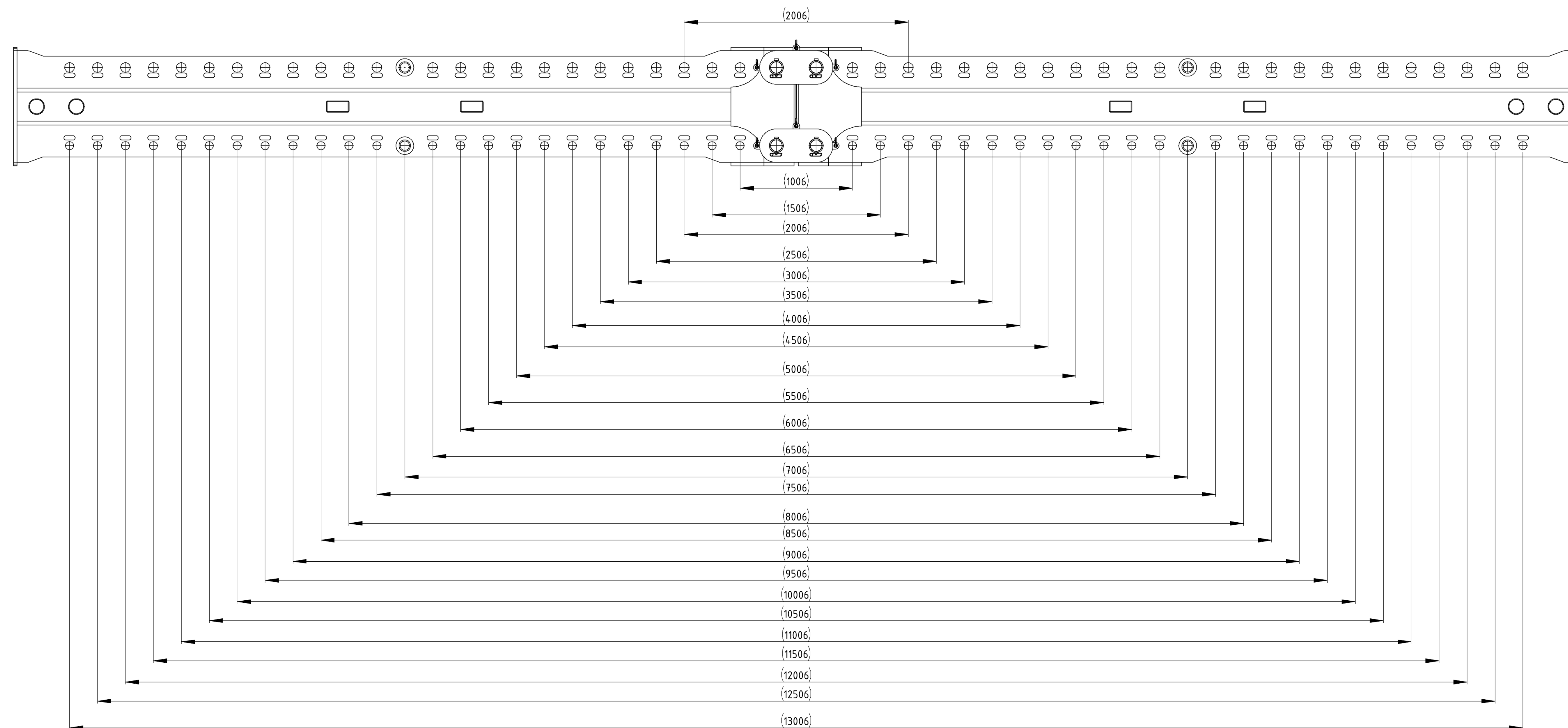
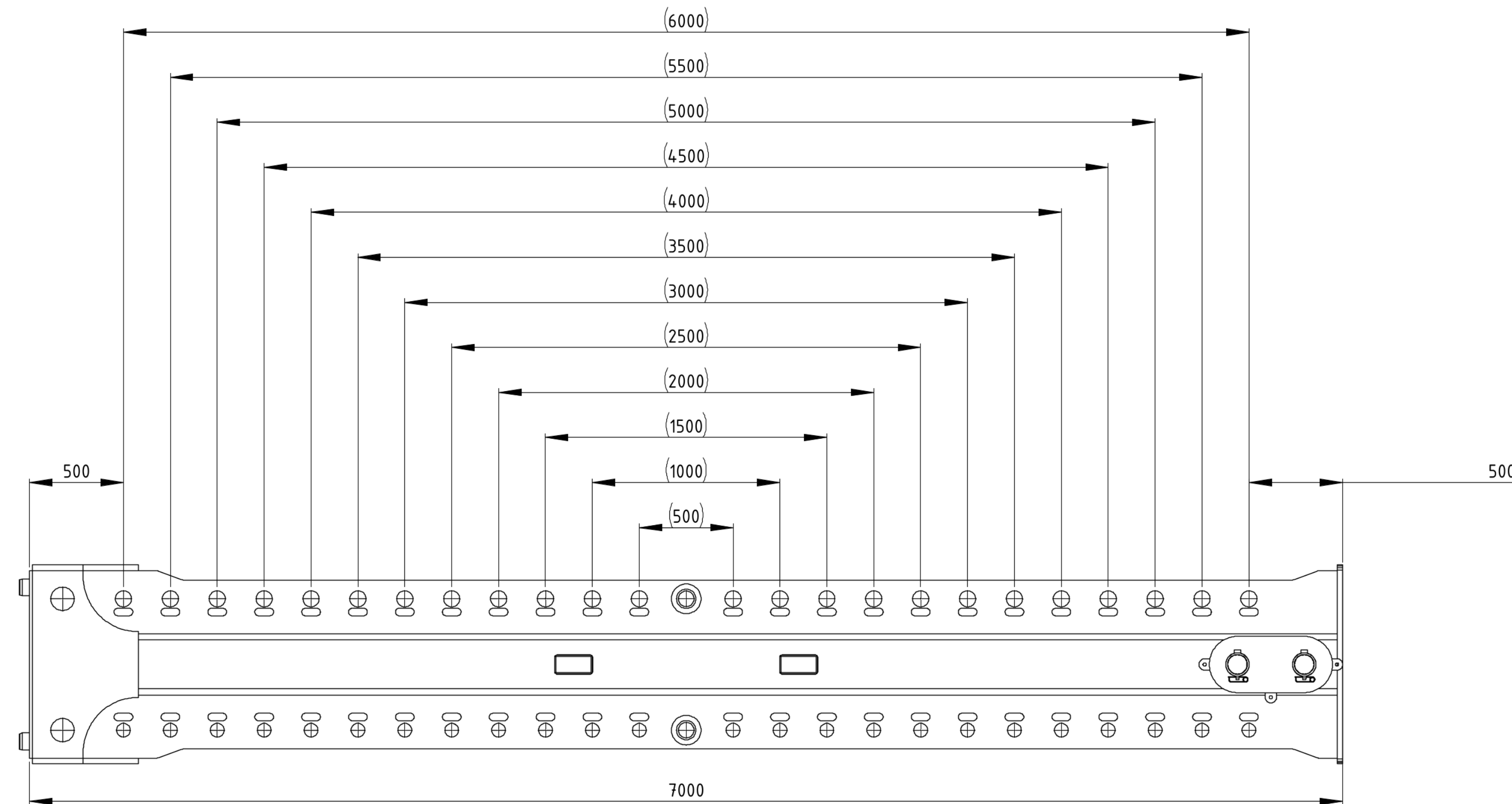
TITLE
MULTILUG WLL 100 TON ASSEMBLY DETAILED DESIGN



Strijkviertel 28a
NL-3454 PM De Meern
The Netherlands
www.TilLen.eu

RECEIVER SHALL TREAT THIS DOCUMENT AS CONFIDENTIAL UNLESS CONTRACTUALLY SPECIFIED OTHERWISE. REPRODUCTION, DISTRIBUTION OR DISCLOSURE OF THIS DOCUMENT IS PROHIBITED WITHOUT THE PRIOR WRITTEN CONSENT OF TILLEN MANAGEMENT. - COPYRIGHT RESERVED -

PROJECTION METHOD	STATUS
3 rd ANGLE	APPROVED
SHEET SIZE	DRAWING NUMBER
A0	210210-01-10-ED-DM-100
SCALE	SHEET
1:10	2/4
UNITS	REV.
mm-kg-s	C



GENERAL NOTES :

1 TOTAL MASS OF ONE ASSEMBLY APPROX. 8115.0 kg

C	ISO VIEW ADJUSTED	17-11-2023	SSmi	DWit	THue
B	ADDED DIMENSIONS, POS 403 CHANGED	12-08-2021	MPol	RVer	DWit
A	FIRST ISSUE	13-07-2021	RVer	AFri	THue
REVISION	DESCRIPTION	DATE	DRAWN	CHECKED	APPVd.

CLIENT NAME
Gouda Constructie

PROJECT NAME
WLL100T & 200T Multilug

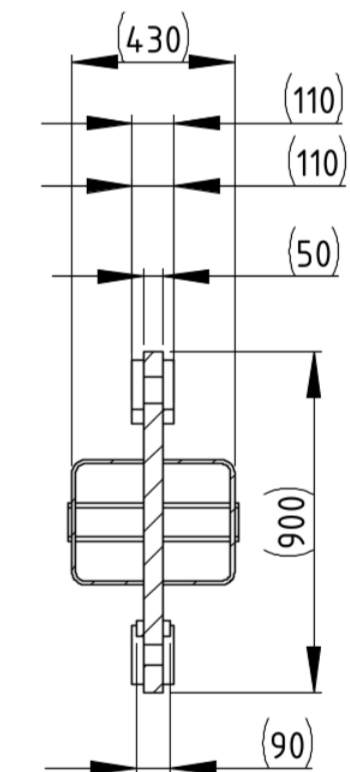
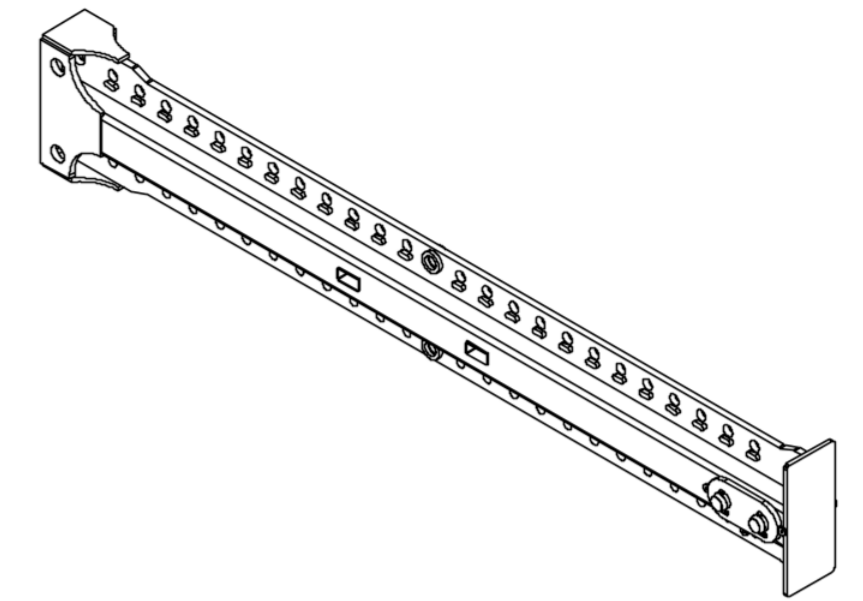
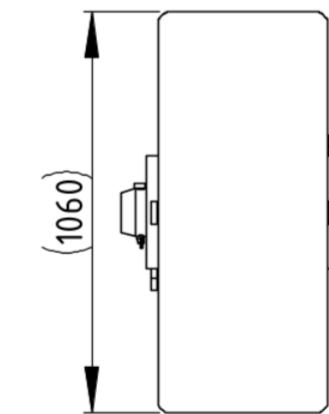
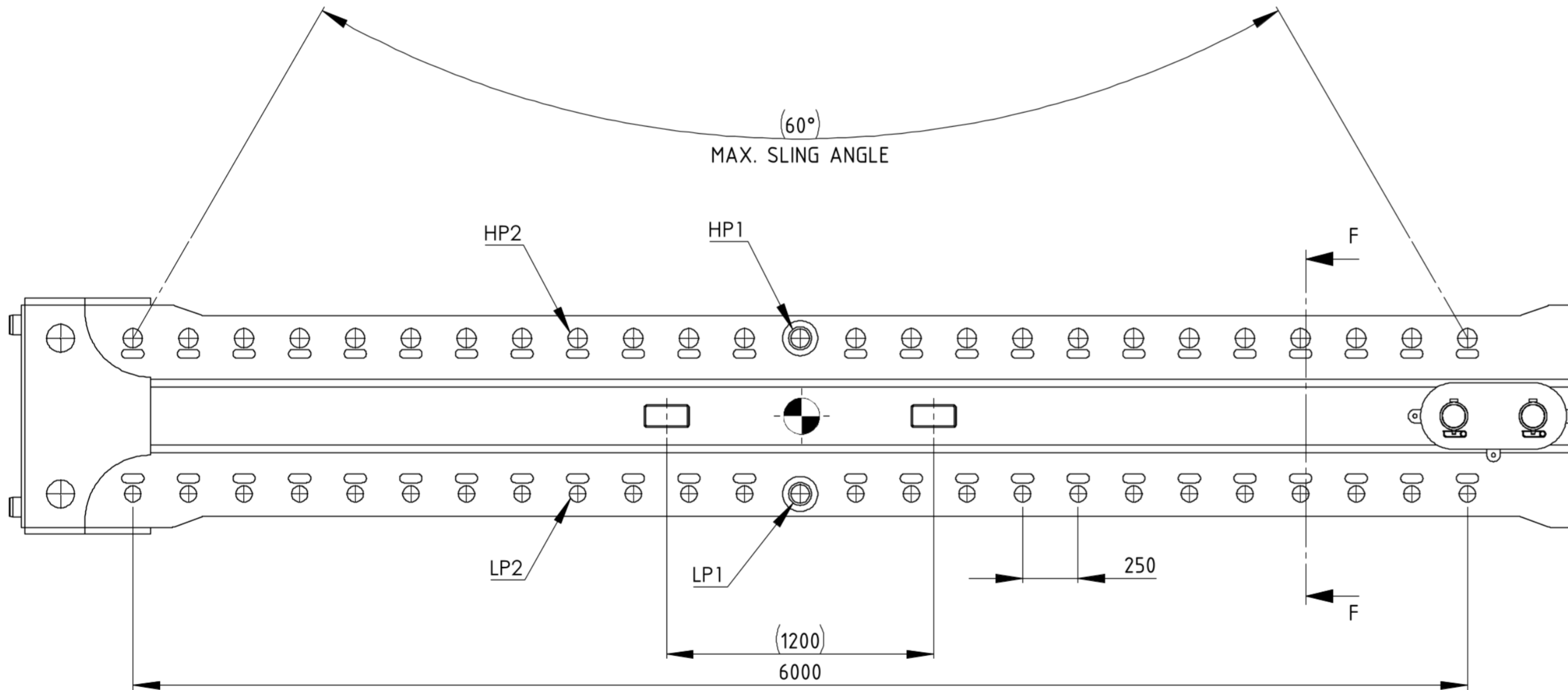
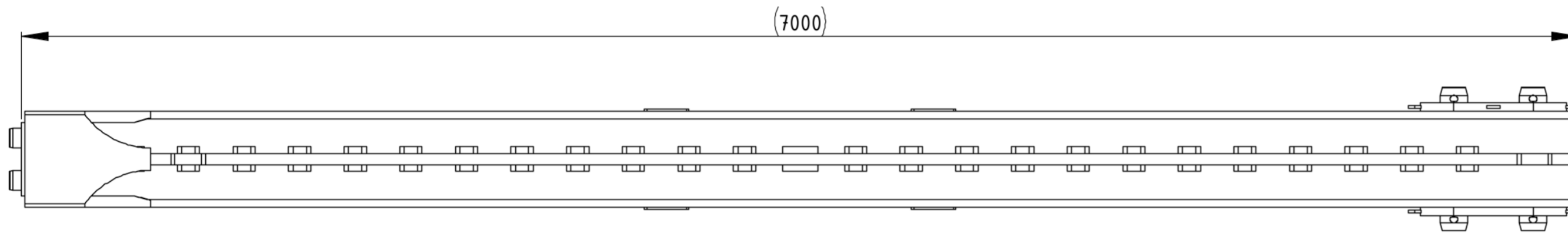
TITLE
MULTILUG WLL 100 TON
ASSEMBLY
DETAILED DESIGN



Strijkviertel 28a
NL-3454 PM De Meern
The Netherlands
www.Tillen.eu

RECEIVER SHALL TREAT THIS DOCUMENT AS CONFIDENTIAL UNLESS CONTRACTUALLY SPECIFIED OTHERWISE. REPRODUCTION, DISTRIBUTION OR DISCLOSURE OF THIS DOCUMENT IS PROHIBITED WITHOUT THE PRIOR WRITTEN CONSENT OF TILLEN MANAGEMENT. - COPYRIGHT RESERVED -

PROJECTION METHOD 3 rd ANGLE	STATUS APPROVED				
SHEET SIZE A0	SCALE 1:20	UNITS mm-kg-s	DRAWING NUMBER 210210-01-10-ED-DM-100	SHEET 3/4	REV. C



SECTION F-F

GENERAL NOTES :

- 1 TOTAL MASS OF ONE ASSEMBLY APPROX. 4053.2 kg

LIFTING BEAM KOPPELBAAR 100T - 6m
 TYPE: -
 WEIGHT: 4200 KG
 WLL: 100T
 HP1 SUITABLE FOR 125T SHACKLE (Ø83)
 HP2 SUITABLE FOR 85T SHACKLE (Ø86)
 LP1 SUITABLE FOR 125T SHACKLE (Ø83)
 LP2 SUITABLE FOR 55T SHACKLE (Ø73)

REVISION	DESCRIPTION	DATE	DRAWN	CHECKED	APPVd.
C	ISO VIEW ADJUSTED	17-11-2023	SSmi	DWit	THue
B	ADDED DIMENSIONS, POS 403 CHANGED	12-08-2021	MPol	RVer	DWit
A	FIRST ISSUE	13-07-2021	RVer	AFI	THue

CLIENT NAME Gouda Constructie					
PROJECT NAME WLL100T & 200T Multilug					
TITLE MULTILUG WLL 100 TON ASSEMBLY DETAILED DESIGN					



Strijkviertel 28a
 NL-3454 PM De Meern
 The Netherlands
 www.Tillem.eu

RECEIVER SHALL TREAT THIS DOCUMENT AS CONFIDENTIAL UNLESS CONTRACTUALLY SPECIFIED OTHERWISE. REPRODUCTION, DISTRIBUTION OR DISCLOSURE OF THIS DOCUMENT IS PROHIBITED WITHOUT THE PRIOR WRITTEN CONSENT OF TILLEN MANAGEMENT. - COPYRIGHT RESERVED -

PROJECTION METHOD 3rd ANGLE	STATUS APPROVED
SHEET SIZE A2	SCALE 1:20
UNITS mm-kg-s	DRAWING NUMBER 210210-01-10-ED-DM-100
SHEET 4/4	REV. C