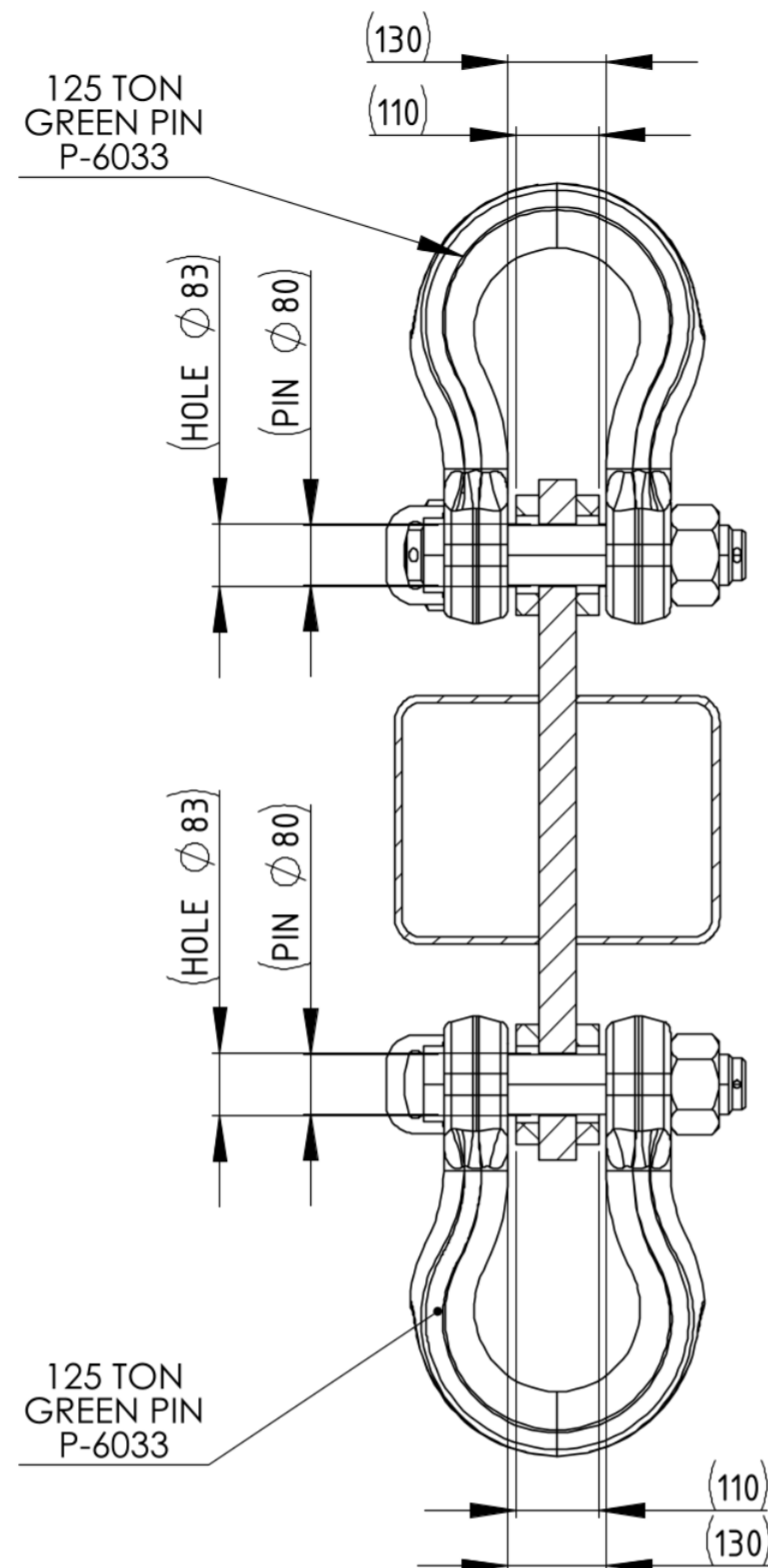
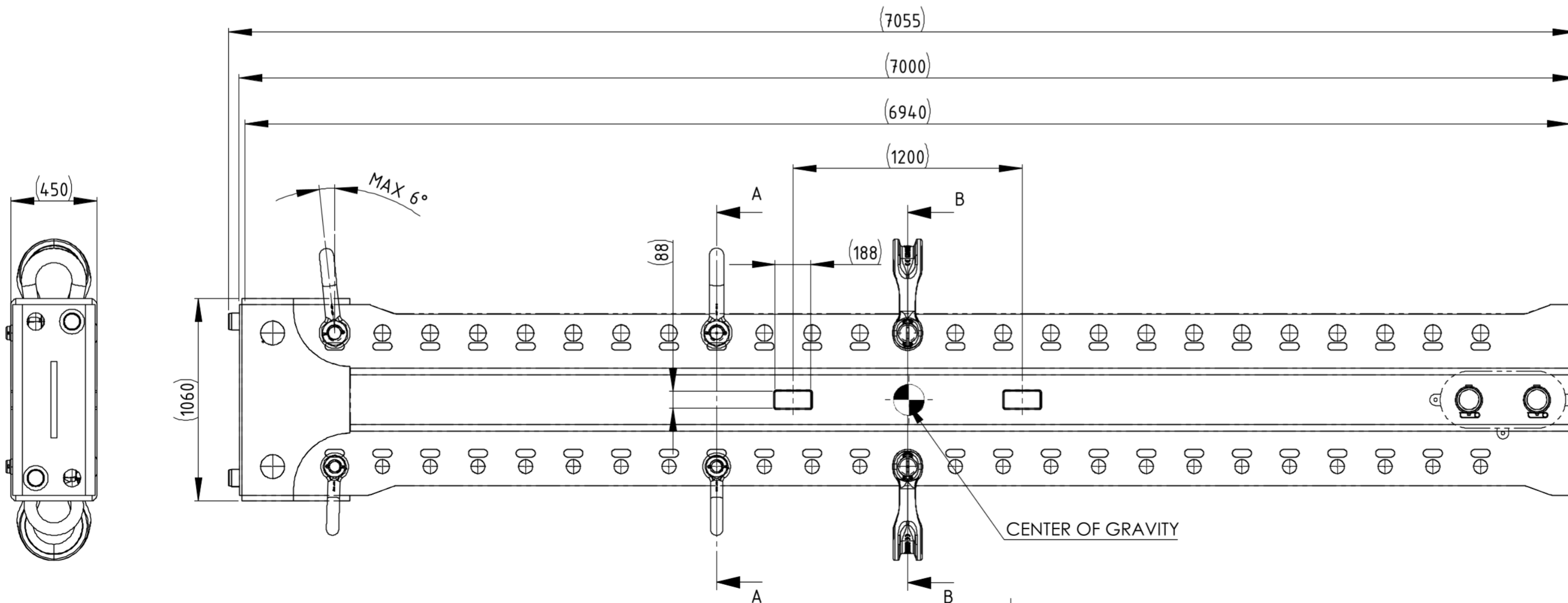
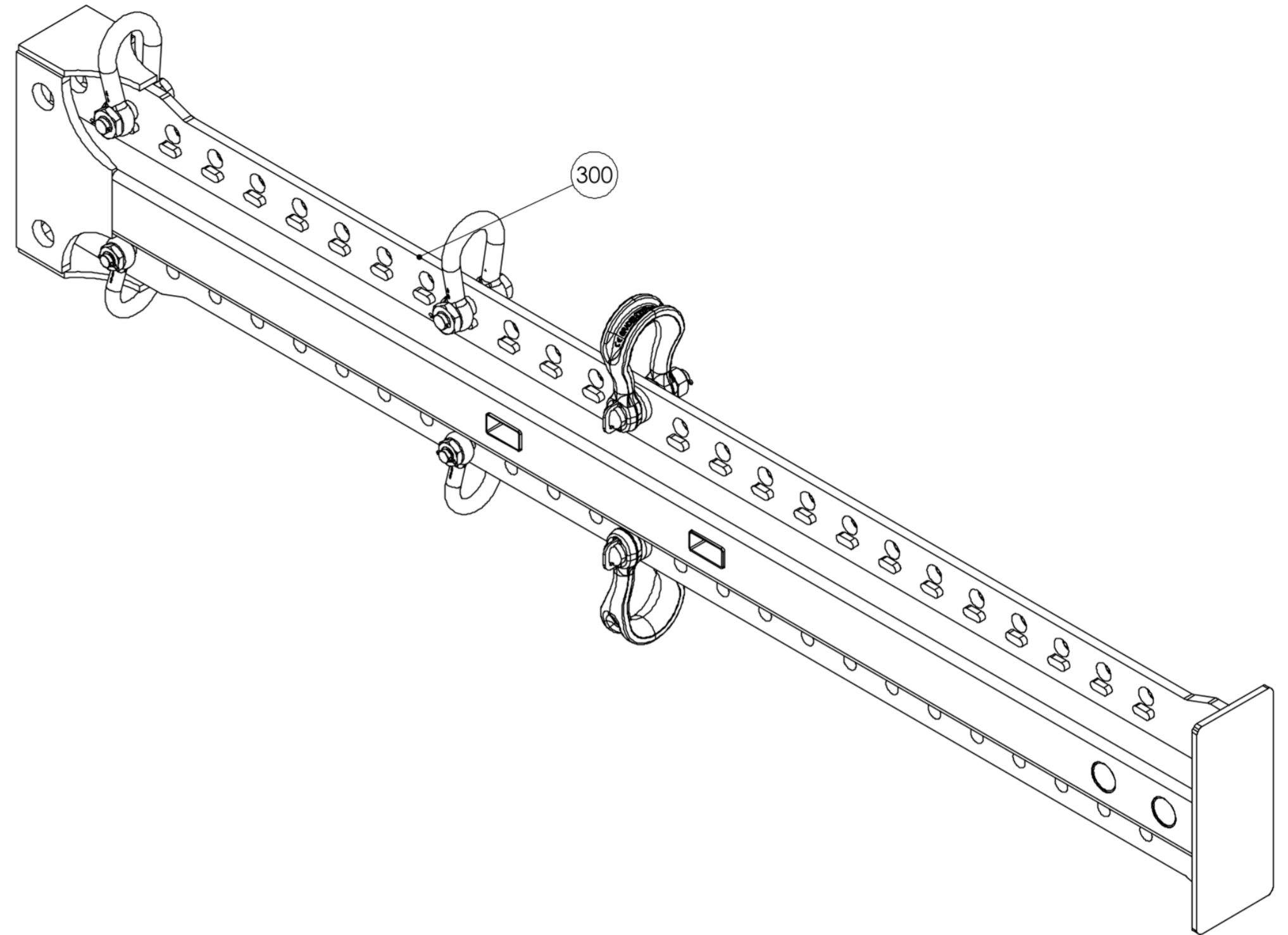


SECTION A-A
SCALE 1 : 10



SECTION B-B
SCALE 1 : 10



GENERAL NOTES :

1 TOTAL MASS OF ONE ASSEMBLY APPROX. 4222.0 kg

B	ADDED DIMENSIONS. POS 403 CHANGED	12-08-2021	MPol	RVer	DWit
A	FIRST ISSUE	13-07-2021	RVer	AFit	Thue
REVISION	DESCRIPTION	DATE	DRAWN	CHECKED	APPVd.

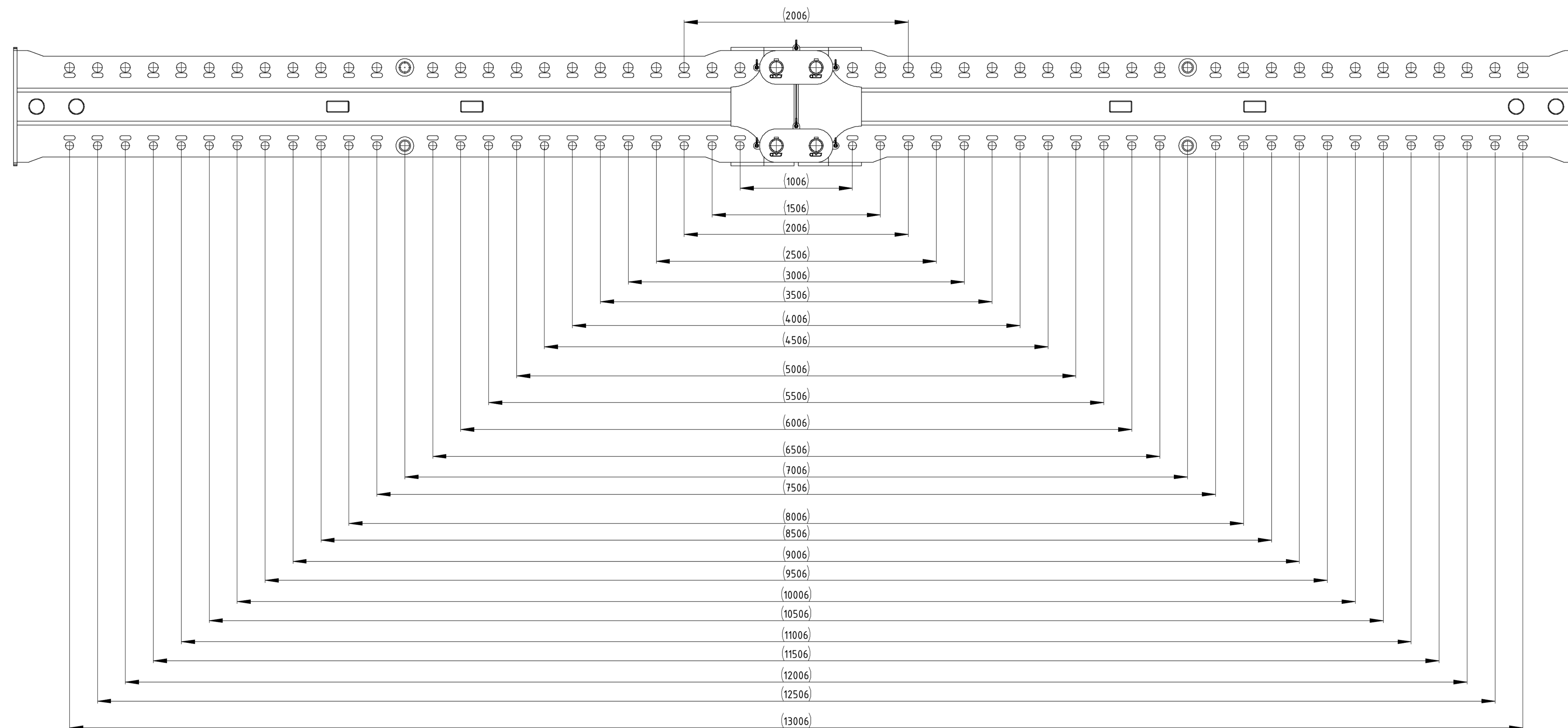
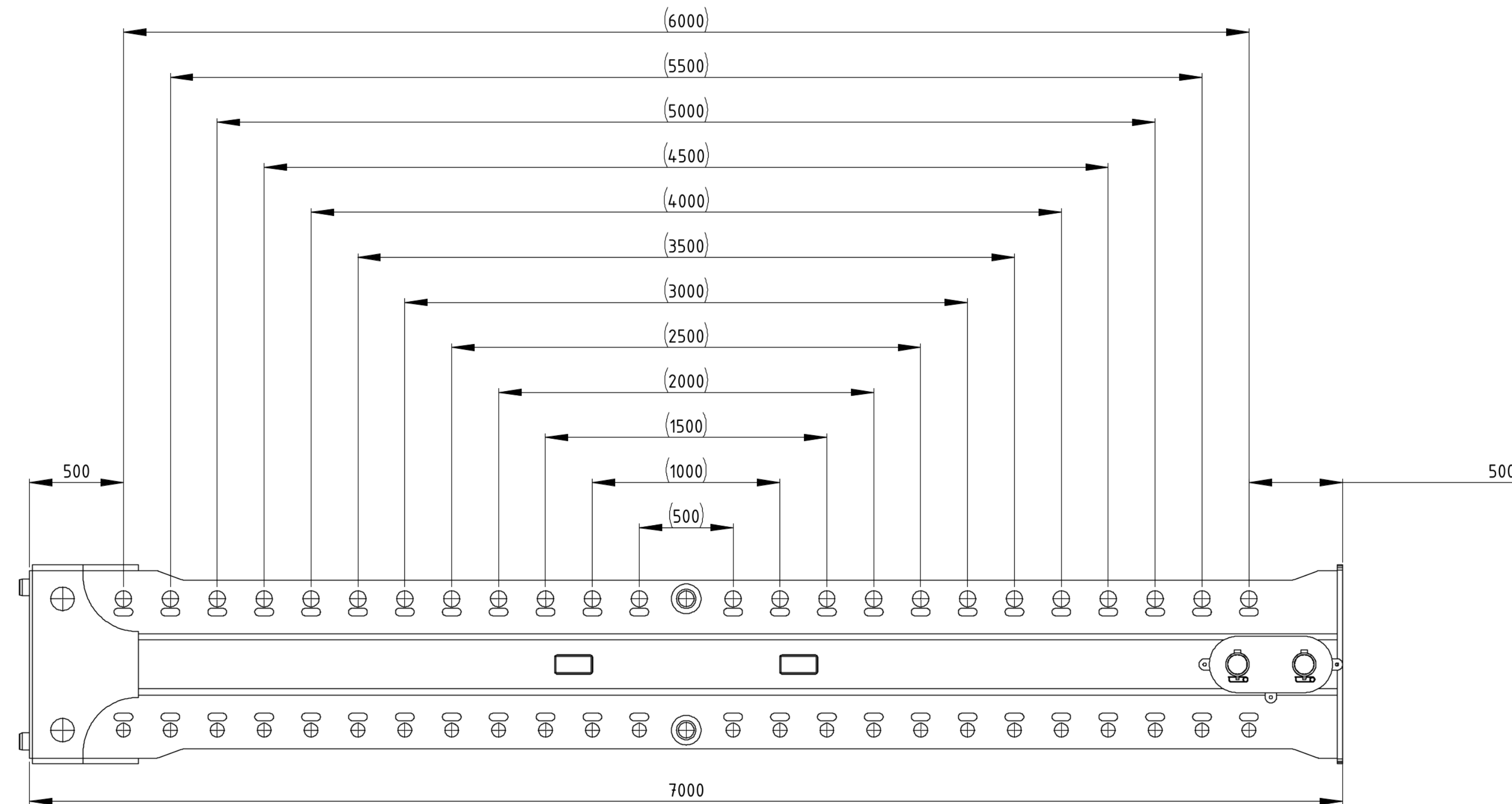
CLIENT NAME	Gouda Constructie
PROJECT NAME	WLL100T & 200T Multilug
TITLE	MULTILUG WLL 100 TON ASSEMBLY DETAILED DESIGN



Strijkviertel 28a
NL-3454 PM De Meern
The Netherlands
www.Tilllen.eu

RECEIVER SHALL TREAT THIS DOCUMENT AS CONFIDENTIAL UNLESS CONTRACTUALLY SPECIFIED OTHERWISE. REPRODUCTION, DISTRIBUTION OR DISCLOSURE OF THIS DOCUMENT IS PROHIBITED WITHOUT THE PRIOR WRITTEN CONSENT OF TILLEN MANAGEMENT. - COPYRIGHT RESERVED -

PROJECTION METHOD	3 rd ANGLE	STATUS	APPROVED
SHEET SIZE	A2	SCALE	1:20
UNITS	mm-kg-s	DRAWING NUMBER	210210-01-10-ED-DM-100
SHEET	1/4	REV.	B



GENERAL NOTES :

1 TOTAL MASS OF ONE ASSEMBLY APPROX. 8115.0 kg

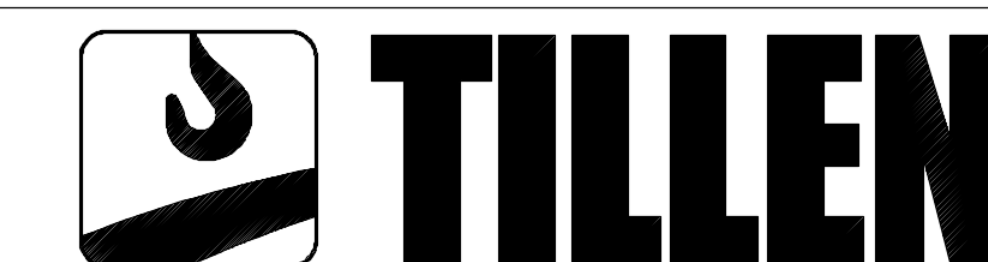
B	ADDED DIMENSIONS, POS 403 CHANGED	12-08-2021	MPol	RVer	DWit
A	FIRST ISSUE	13-07-2021	RVer	AFri	THue

REVISION	DESCRIPTION	DATE	DRAWN	CHECKED	APPVd.
----------	-------------	------	-------	---------	--------

CLIENT NAME
Gouda Constructie

PROJECT NAME
WLL100T & 200T Multilug

TITLE
**MULTILUG WLL 100 TON
ASSEMBLY
DETAILED DESIGN**



Strijkviertel 28a
NL-3454 PM De Meern
The Netherlands
www.Tillen.eu

RECEIVER SHALL TREAT THIS DOCUMENT AS CONFIDENTIAL UNLESS CONTRACTUALLY SPECIFIED OTHERWISE. REPRODUCTION, DISTRIBUTION OR DISCLOSURE OF THIS DOCUMENT IS PROHIBITED WITHOUT THE PRIOR WRITTEN CONSENT OF TILLEN MANAGEMENT. - COPYRIGHT RESERVED -

PROJECTION METHOD 3rd ANGLE	STATUS APPROVED
--	---------------------------

SHEET SIZE A0	SCALE 1:20	UNITS mm-kg-s	DRAWING NUMBER 210210-01-10-ED-DM-100	SHEET 3/4	REV. B
-------------------------	----------------------	-------------------------	---	---------------------	------------------